



# Massachusetts 4-H Horsemanship Standards Western Riding Level 1 (WR-1)

4-H Member: \_\_\_\_\_ County: \_\_\_\_\_

KEY: ES = Exceeds Standard MS = Meets Standard DNMS = Does not Meet Standard

## HORSE MANAGEMENT

Approach a horse safely and put on halter.	ES _____ MS _____ DNMS _____
Lead and turn horse safely in hand.	ES _____ MS _____ DNMS _____
Demonstrate proper grooming techniques, including picking out hooves (with assistance if needed).	ES _____ MS _____ DNMS _____
Comments:	

## HORSE AND RIDER TURNOUT

Rider in safe and neat attire with an ASTM/SEI approved helmet.	ES _____ MS _____ DNMS _____
Mount to be neatly brushed, feet picked out (with assistance if needed), and showing regular farrier care.	ES _____ MS _____ DNMS _____
Discuss how to safely approach another horse and rider while mounted.	ES _____ MS _____ DNMS _____
Comments:	

## TACK

Tack safe, neat, and properly adjusted, with assistance if necessary.	ES _____ MS _____ DNMS _____
Demonstrate how to check fit of cinch.	ES _____ MS _____ DNMS _____
Comments:	

## RIDING

**RIDING EXPECTATIONS:** Throughout the entire testing, candidate demonstrates control, while maintaining a safe, basic balanced position at the walk and jog in both directions.

Mount and dismount, with assistance and mounting block if necessary.	ES _____ MS _____ DNMS _____
Hold the reins correctly at the halt, walk, and jog.	ES _____ MS _____ DNMS _____
Shorten and lengthen the reins correctly at the halt.	ES _____ MS _____ DNMS _____
Drop and regain stirrups at the halt.	ES _____ MS _____ DNMS _____
Demonstrate a simple change of direction at the walk and jog.	ES _____ MS _____ DNMS _____
Perform gradual transitions from a walk to jog and walk to halt.	ES _____ MS _____ DNMS _____
Walk over appropriately spaced ground poles in a straight line.	ES _____ MS _____ DNMS _____
Complete Western Riding Pattern 1 (Appendix P) demonstrating a safe, balanced position and use of natural aids, as well as proper execution. Discuss and evaluate pattern with Examiner and re-do if necessary.	ES _____ MS _____ DNMS _____
Comments:	

ES: _____ MS: _____ DNMS: _____
---------------------------------------

Overall comments/suggestions:

\_\_\_\_\_  
Examiner Name

\_\_\_\_\_  
Examiner Signature

\_\_\_\_\_  
Date

Sections Requiring Retesting:

\_\_\_\_\_

\_\_\_\_\_

\_\_\_\_\_

\_\_\_\_\_

\_\_\_\_\_

\_\_\_\_\_

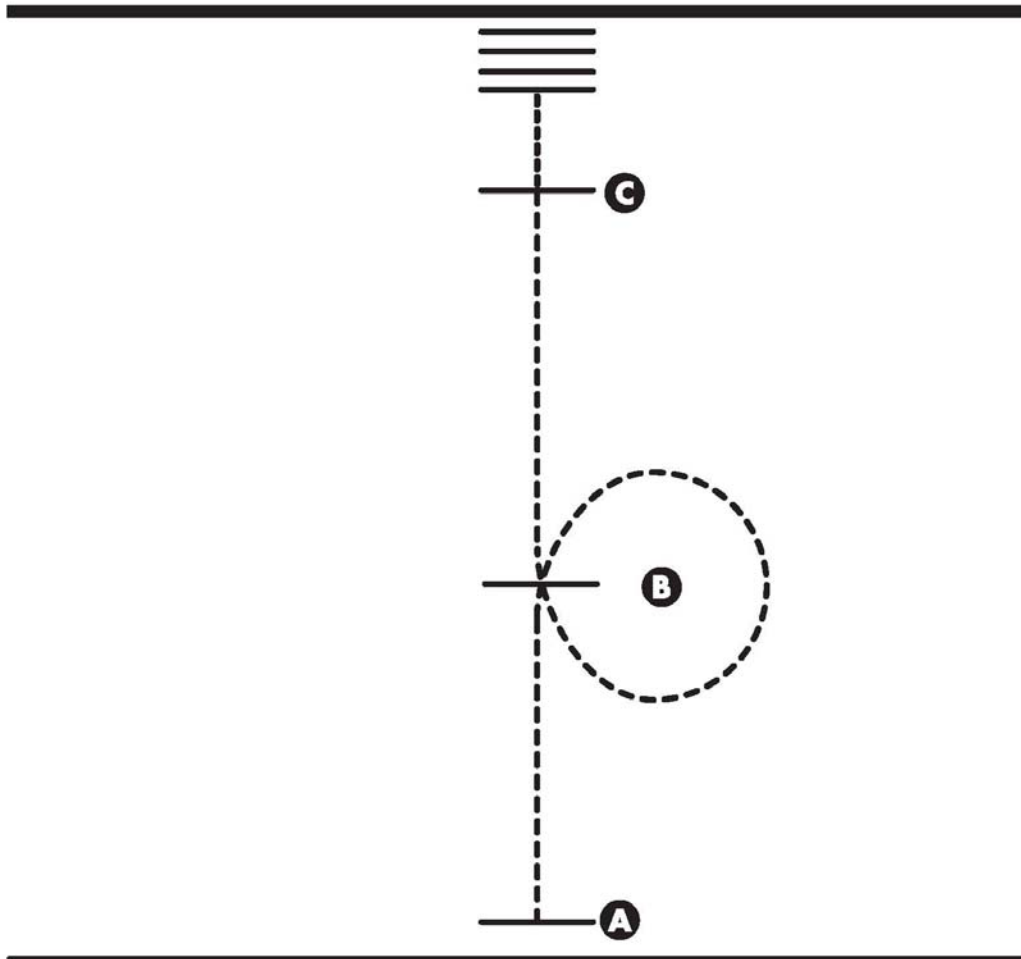
**A candidate may be retested as follows:**

- Retest to cover not more than 1 or 2 sections of the test. Retest must take place within 3 months but no sooner than 1 month.
- Not meeting standards of any section on that day will require retaking entire test.
- Retest must be conducted by original Examiner.

**ES** \_\_\_\_\_ **MS** \_\_\_\_\_ **DNMS** \_\_\_\_\_

Signature \_\_\_\_\_

**Appendix P: Western Riding Level 1 Pattern**



**INSTRUCTIONS**

1. Begin on left side of cone A.
2. Jog to cone B.
3. Halt and walk circle around cone B.
4. Jog to cone C.
5. Halt at cone C.
6. Walk over ground poles.

**Key**

-----	WALK
- - - - -	JOG
- - - - -	EXTENDED JOG
—————	LOPE
//////	BACK
≈	CHANGE LEADS
~~~~~	SIDEPASS

**Western Riding Level 1 Pattern**